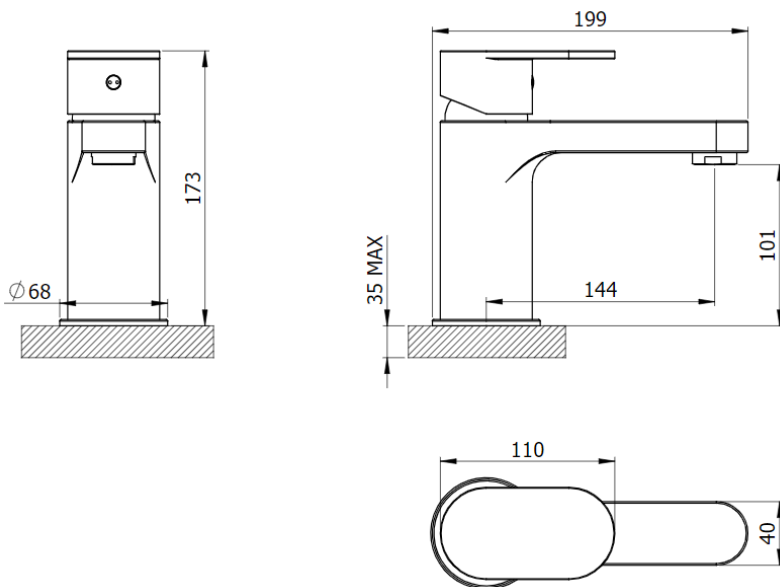


STRATA BLADE
4K6056 – MONO BATH FILLER



Specification

Finish	Chrome
Body	Brass
Fittings	Metal plate, washer, stud & locking nut
Connection	M16 x 1 - 15mm Copper Tail
Min dynamic pressure	0.5
Max dynamic pressure	6
Max static pressure	16
Max water temperature	60°C

Flow rates

Pressure	0.1	0.5	1	3
Aerator				
F/Straight	4.3	15.8	23.8	43

All Pressures in Bar. All flow in L/Min.
 Dimensions supplied are nominal and subject to tolerance.
 Inclusion or restrictors (sold separately unless stated) will affect flow rate result.
 Performance details are based on trials under test conditions and for guidance only.
 The Company reserves the right to change product specification without prior notice.

Features & Benefits

10 YEAR Guarantee	M Medium Pressure	Copper Tail	Flow Straightener
Single Flow			

Certifications

15.8 l/min	
Tested at 0.5 bar	