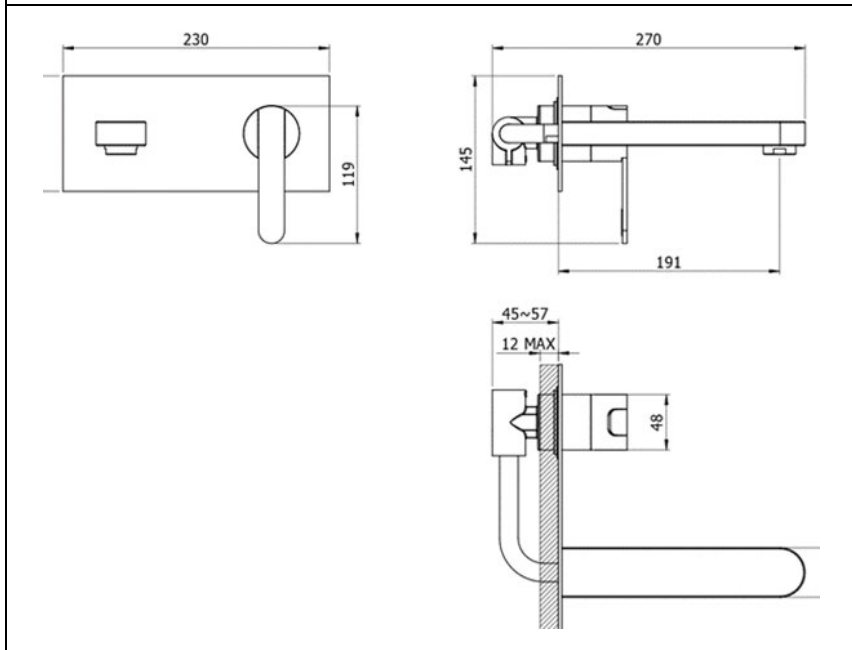


STRATA

4K6017 – WALL MOUNTED BATH FILLER KITCHEN & BATHROOM

FRANCIS



Specification

Finish	Matt Black
Body	Brass
Fittings	N/A
Connection	½" BSP Threaded tail
Min dynamic pressure	1
Max dynamic pressure	6
Max static pressure	16
Max water temperature	60°C

Flow rates

Pressure	0.1	0.5	1	3
Aerator				
F/Straight	2.6	10.5	15.4	28.1

All Pressures in Bar. All flow in L/Min.
 Dimensions supplied are nominal and subject to tolerance.
 Inclusion or restrictors (sold separately unless stated) will affect flow rate result.
 Performance details are based on trials under test conditions and for guidance only.
 The Company reserves the right to change product specification without prior notice.

Features & Benefits

Guarantee	High Pressure	Flow Straightener	Single Flow

Certifications

Tested at 3 bar	