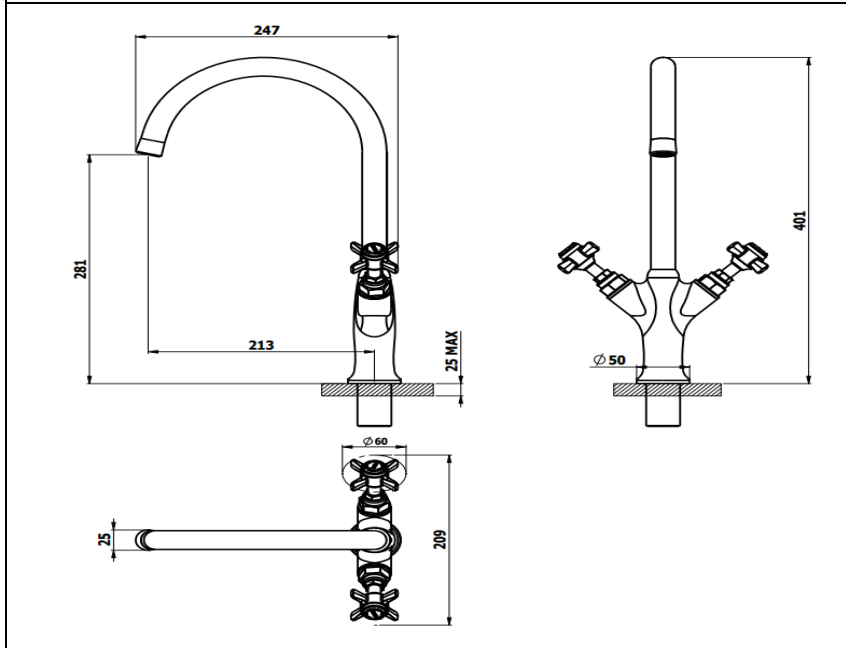


SEQUEL
4K5016 – KITCHEN MIXER



Specification	
Finish	Copper
Body	Brass
Fittings	Easy Fix System
Connection	M10 - DN8 Flexible hoses with 1/2" BSP thread ends
Min dynamic pressure	0.1
Max dynamic pressure	6
Max static pressure	16
Max water temperature	60°C

Flow rates				
Pressure	0.1	0.5	1	3
Aerator	2.1	6.2	7.4	7.4
F/Straight	4.5	18	26.7	48.2

All Pressures in Bar. All flow in L/Min.
Dimensions supplied are nominal and subject to tolerance.
Inclusion or restrictors (sold separately unless stated) will affect flow rate result.
Performance details are based on trials under test conditions and for guidance only.
The Company reserves the right to change product specification without prior notice.

Features & Benefits

10 YEAR Guarantee	L Low Pressure	Flexible Hose	Flow Straightener
Eco Aerator	Easy Fix	Single Flow	

Certifications

10.3 l/min	
<i>Tested at 0.2 bar</i>	