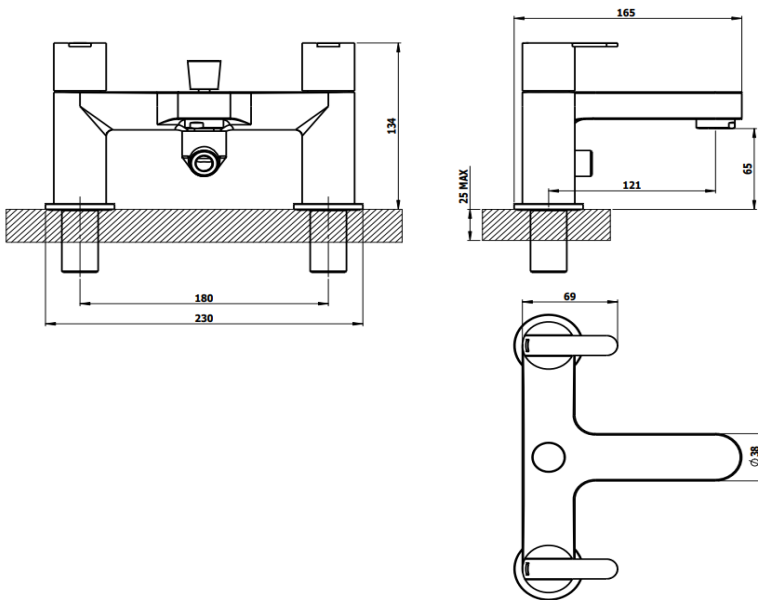


STRATA
4K5011 – BATH & SHOWER MIXER



Specification	
Finish	Matt Black
Body	Brass
Fittings	Brass Backnut & Washer
Connection	3/4" BSP Threaded Tail
Min dynamic pressure	0.1
Max dynamic pressure	6
Max static pressure	25
Max water temperature	60°C

Flow rates				
Pressure	0.1	0.5	1	3
Aerator	6.4	12.9	18.9	33.5
F/Straight	9.2	27.9	39.9	69.7

All Pressures in Bar. All flow in L/Min.
 Dimensions supplied are nominal and subject to tolerance.
 Inclusion or restrictors (sold separately unless stated) will affect flow rate result.
 Performance details are based on trials under test conditions and for guidance only.
 The Company reserves the right to change product specification without prior notice.

Certifications

<i>Tested at 0.2 bar</i>

Features & Benefits
