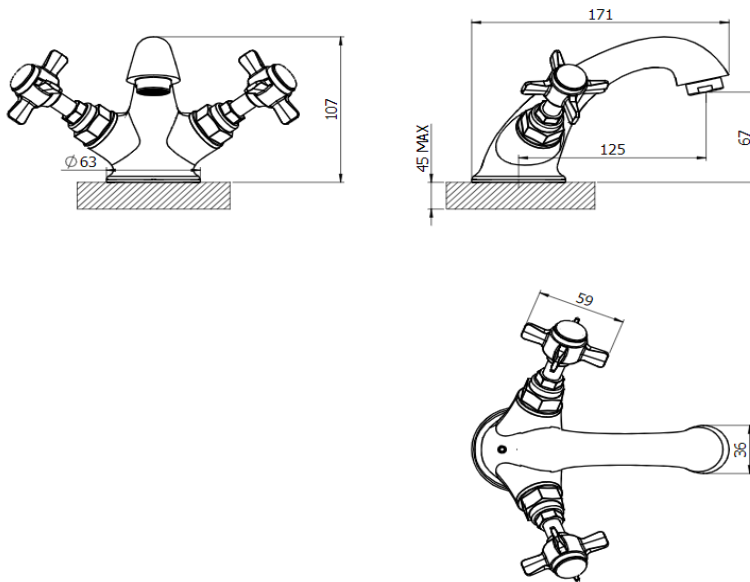


SEQUEL

477042 – MONO BASIN MIXER



Specification

Finish	Brushed Nickel
Body	Brass
Fittings	Metal plate, washer, stud & locking nut
Connection	M12 – DN8 flexible hoses with ½" BSP threaded ends
Min dynamic pressure	0.1
Max dynamic pressure	6
Max static pressure	16
Max water temperature	60°C

Flow rates

Pressure	0.1	0.5	1	3
Aerator				
F/Straight	5.7	20.2	30.2	54.1

All Pressures in Bar. All flow in L/Min.

Dimensions supplied are nominal and subject to tolerance.

Inclusion or restrictors (sold separately unless stated) will affect flow rate result.

Performance details are based on trials under test conditions and for guidance only.

The Company reserves the right to change product specification without prior notice.

Features & Benefits

10
YEAR

Guarantee

L

Low
Pressure



Flexible
Hose



Pop-Up
Waste



Flow
Straightener



Flow
Aerator



Single
Flow

Certifications



Tested at 0.2 bar