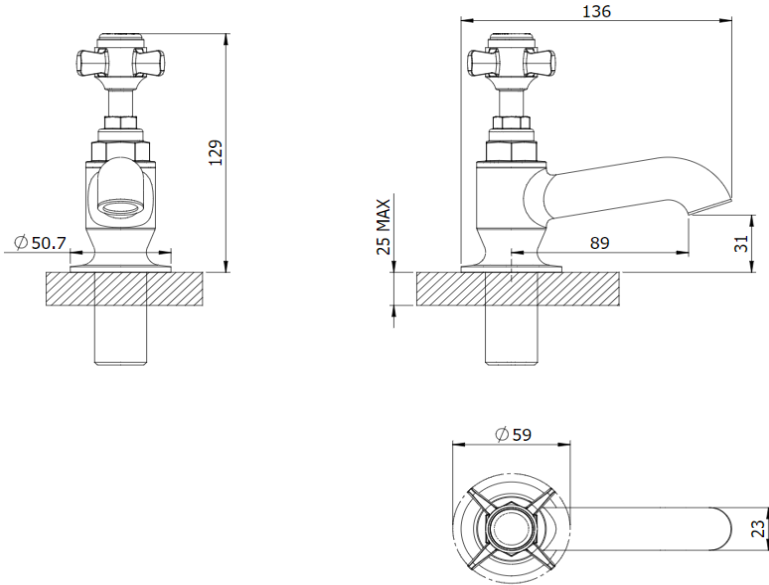


SEQUEL

477041 – BATH TAP PAIR



Specification

Finish	Brushed Nickel
Body	Brass
Fittings	Brass Backnut & Washer
Connection	3/4" BSP Threaded Tail

Min dynamic pressure	0.1
Max dynamic pressure	6
Max static pressure	16
Max water temperature	85°C

Flow rates

Pressure	0.1	0.5	1	3
Aerator				
Open Spout	15.9	53.4	77.8	139

All Pressures in Bar. All flow in L/Min.
 Dimensions supplied are nominal and subject to tolerance.
 Inclusion or restrictors (sold separately unless stated) will affect flow rate result.
 Performance details are based on trials under test conditions and for guidance only.
 The Company reserves the right to change product specification without prior notice.

Features & Benefits



Guarantee



Low Pressure



Inlet Tail



Brass Backnut



Single Flow

Certifications



Tested at 0.2 bar