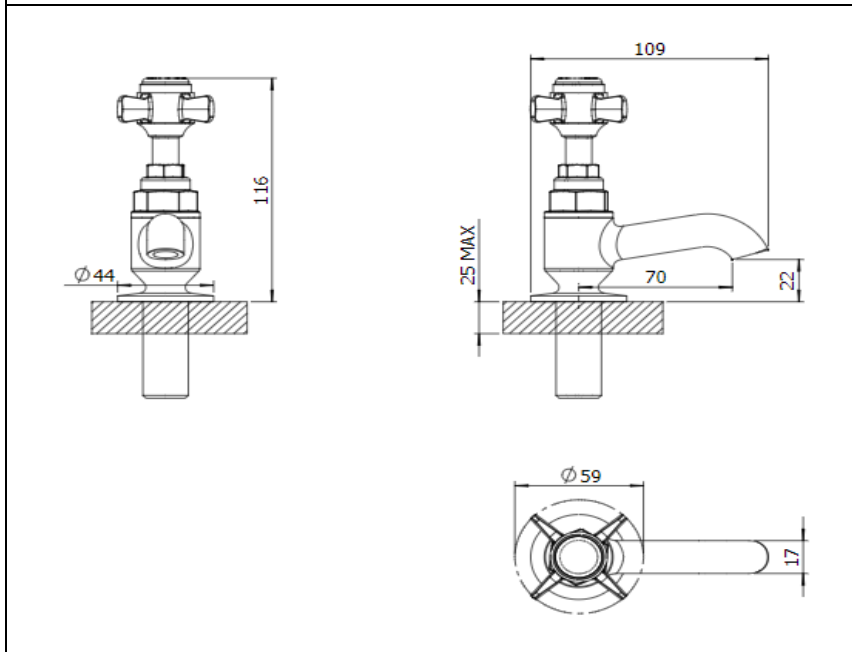


**SEQUEL**  
**477040 – BASIN TAP PAIR**



**Specification**

Finish	Brushed Nickel
Body	Brass
Fittings	Brass Backnut & Washer
Connection	½" BSP Threaded Tail
Min dynamic pressure	0.1
Max dynamic pressure	6
Max static pressure	16
Max water temperature	85°C

**Flow rates**

Pressure	0.1	0.5	1	3
Aerator				
Open Spout	10.4	32.2	46.9	84.1

All Pressures in Bar. All flow in L/Min.  
 Dimensions supplied are nominal and subject to tolerance.  
 Inclusion or restrictors (sold separately unless stated) will affect flow rate result.  
 Performance details are based on trials under test conditions and for guidance only.  
 The Company reserves the right to change product specification without prior notice.

**Features & Benefits**

10 YEAR Guarantee	Low Pressure	Inlet Tail	Brass Backnut
Single Flow			

**Certifications**

Tested at 0.2 bar	